



**PERFORMANCE DATA:
PRESSURE SPRAY SET-UPS | INTERNAL MIX | ROUND SPRAY**

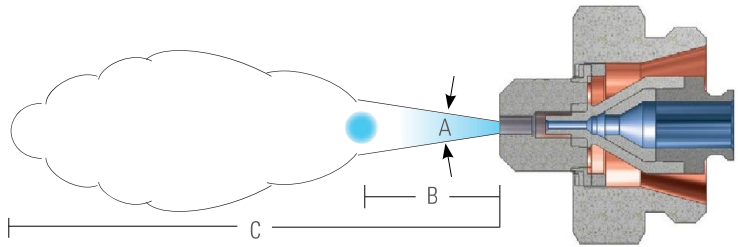
For a round spray pattern, angle "A" is maintained throughout distance "B". Beyond "B", the spray becomes turbulent and projects out to distance "C".

Liquid is supplied to this spray set-up under pressure.

Liquid and compressed air or gas are mixed internally to produce a completely atomized spray.

When ordering only a spray set-up, 12582 retainer ring and 7717-2/007 O-ring must be ordered separately. These components are included in a complete air atomizing nozzle assembly.

Please contact your sales engineer for more information.



Spray Set-up No.	Spray Set-up Consists of Fluid and Air Cap Combination	Liquid Capacity (gallons per hour)* and Air Capacity (standard cubic feet per minute)*															Spray Dimensions		
		Liquid Pressure																	
		10 psi			20 psi			30 psi			40 psi			60 psi			Spray Angle A (°)	B (in.)	C (ft.)
		Air Press.	gph	scfm	Air Press.	gph	scfm	Air Press.	gph	scfm	Air Press.	gph	scfm	Air Press.	gph	scfm			
SUJ11	Fluid Cap J2050 + Air Cap J67147	10.0	.66	.55	14	1.50	.40	24	1.68	.56	32	1.86	.68	50	2.28	.98	13 - 15	12 - 17-1/2	9 - 14-1/2
		12.0	.48	.67	18	1.23	.50	28	1.44	.63	36	1.62	.80	54	2.05	1.07			
		14.0	.36	.78	22	.99	.63	32	1.08	.82	40	1.32	.93	58	1.80	1.19			
		-	-	-	26	.72	.76	38	.72	1.03	48	.85	1.23	66	1.32	1.52			
		-	-	-	30	.45	.93	42	.54	1.19	52	.66	1.38	70	1.11	1.66			
SUJ12A	Fluid Cap J2050 + Air Cap J73160	10.0	.66	.66	18	1.44	.87	24	1.98	1.00	30	2.40	1.14	40	3.30	1.36	12 - 15	17 - 22	12 - 17
		12.0	.54	.77	20	1.32	.98	28	1.68	1.17	34	2.16	1.29	46	2.94	1.54			
		14.0	.42	.90	22	1.20	1.06	32	1.44	1.35	38	1.92	1.47	52	2.58	1.83			
		-	-	-	26	.90	1.26	36	1.20	1.57	44	1.50	1.78	62	2.10	2.26			
		-	-	-	-	-	-	40	1.02	1.76	48	1.32	1.98	70	1.68	2.67			
SUJ12	Fluid Cap J2850 + Air Cap J73160	12.0	1.26	.73	22	2.16	1.05	30	2.90	1.24	36	4.32	1.26	48	5.82	1.50	12 - 15	19 - 23-1/2	13 - 17-1/2
		16.0	1.08	.94	26	1.74	1.26	34	2.46	1.42	40	3.85	1.36	52	5.28	1.65			
		20	.90	1.15	30	1.44	1.47	38	2.10	1.65	44	3.55	1.56	56	4.92	1.73			
		24	.78	1.36	38	1.08	1.87	46	1.50	2.03	52	2.46	2.01	64	4.08	2.08			
		28	.76	1.56	42	.94	2.04	52	1.20	2.36	60	1.86	2.36	70	3.60	2.34			
SUJ22B	Fluid Cap J40100 + Air Cap J1401110	16.0	3.44	2.68	28	5.03	3.71	40	6.10	4.72	48	7.75	5.30	65	10.70	6.74	18 - 21	26 - 38	16 - 30
		20	2.35	3.20	32	3.70	4.17	44	5.03	5.17	55	5.95	6.07	75	8.67	7.73			
		22	1.90	3.46	36	2.64	4.65	48	3.95	5.65	65	3.55	7.28	80	7.65	8.25			
		26	1.23	3.97	44	1.30	5.63	60	1.56	7.12	80	1.40	9.10	90	5.64	9.40			
		30	.72	4.48	50	.76	6.36	70	.73	8.35	90	.72	10.34	100	3.62	10.60			

*At the stated pressure in psi.

Drip Free™ spray set-ups ensure positive shut-off and are provided for air atomizing assemblies containing a shut-off needle. For more information, call 1.800.95.SPRAY.



PAWIN Engineering Co., Ltd.
168 อาคาร Axiom 1 ม. 7 ถ. กิ่งแก้ว ต. บางพลีใหญ่
อ. บางพลี จ. สมุทรปราการ 10540



☎ 0-2911-4761-5, 095-365-8530-1

✉ pawin@pawin.co.th

🌐 www.pawin.co.th



Spraying Systems Co.®

**PERFORMANCE DATA:
PRESSURE SPRAY SET-UPS | INTERNAL MIX | ROUND SPRAY**

Spray Set-up No.	Spray Set-up Consists of Fluid and Air Cap Combination	Liquid Capacity (gallons per hour)* and Air Capacity (standard cubic feet per minute)*															Spray Dimensions		
		Liquid Pressure																	
		10 psi			20 psi			30 psi			40 psi			60 psi			Spray Angle A (°)	B (in.)	C (ft.)
		Air Press.	gph	scfm	Air Press.	gph	scfm	Air Press.	gph	scfm	Air Press.	gph	scfm	Air Press.	gph	scfm			
SUJ22	Fluid Cap J60100 + Air Cap J1401110	12.0	8.1	2.00	20	13.6	2.55	30	16.3	3.25	38	19.5	3.74	54	25.7	4.66	17 - 21	24 - 36	16 - 28
		14.0	6.6	2.32	22	12.0	2.85	34	13.1	3.75	42	16.5	4.20	60	21.8	5.34			
		16.0	4.9	2.66	24	10.2	3.15	38	9.9	4.32	46	13.6	4.71	65	18.5	5.98			
		–	–	–	28	7.2	3.75	42	7.6	4.90	52	9.6	5.58	75	12.2	7.80			
		–	–	–	32	4.6	4.35	46	5.6	5.50	56	7.6	6.14	85	8.0	8.90			

*At the stated pressure in psi.



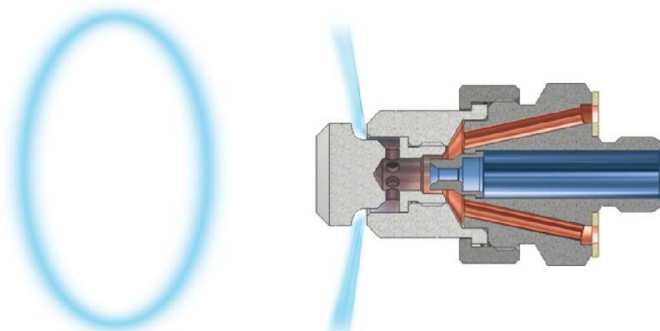
**PERFORMANCE DATA:
PRESSURE SPRAY SET-UPS | INTERNAL MIX | 360° CIRCULAR SPRAY**

Liquid is supplied to this spray set-up under pressure.

Liquid and compressed air or gas are mixed internally to produce a completely atomized spray.

When ordering only a spray set-up, 12582 retainer ring and 7717-2/007 O-ring must be ordered separately. These components are included in a complete air atomizing nozzle assembly.

Please contact your sales engineer for more information.



360° circular spray pattern

Spray Set-up No.	Spray Set-up Consists of Fluid and Air Cap Combination	Liquid Capacity (gallons per hour)* and Air Capacity (standard cubic feet per minute)*														
		Liquid Pressure														
		10 psi			20 psi			30 psi			40 psi			60 psi		
		Air Press.	gph	scfm	Air Press.	gph	scfm	Air Press.	gph	scfm	Air Press.	gph	scfm	Air Press.	gph	scfm
SUJ340C	Fluid Cap J60100 + Air Cap J150-6-62-160HC	20	4.0	2.45	34	6.6	4.09	50	7.1	6.38	60	11.0	7.6	85	14.4	11.8
		22	2.8	2.7	38	4.4	4.8	52	6.2	6.75	65	8.3	8.63	90	12.0	13.0
		24	2.0	2.97	42	2.8	5.5	56	4.4	7.55	70	6.1	9.78	95	9.8	14.1
		26	1.5	3.3	46	1.7	6.34	60	3.2	8.41	80	3.1	12.44	100	7.8	15.4
		28	1.1	3.62	48	1.3	6.85	70	1.3	11.75	90	1.4	15.4	–	–	–

†Use only with 1/8JJAU automatic air atomizing nozzles.

Drip Free™ spray set-ups ensure positive shut-off and are provided for air atomizing assemblies containing a shut-off needle. For more information, call 1.800.95.SPRAY.





**PERFORMANCE DATA:
PRESSURE SPRAY SET-UPS | INTERNAL MIX | WIDE ANGLE ROUND SPRAY**

For a wide angle round spray, dimensions "A" and "B" are the pattern widths at distances from the nozzle.

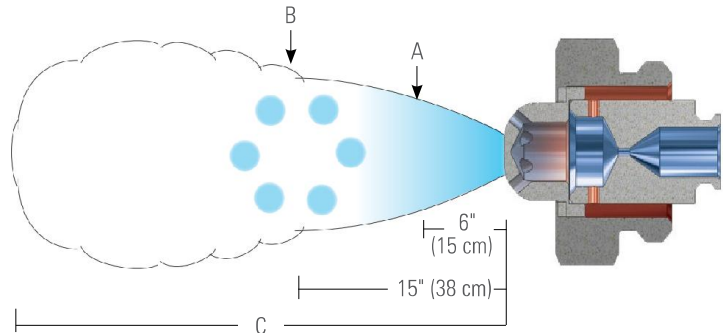
The total distance of spray projection from the nozzle to the maximum dispersal point is represented by "C".

Liquid is supplied to this spray set-up under pressure.

Liquid and compressed air or gas are mixed internally to produce a completely atomized spray.

When ordering only a spray set-up, 12582 retainer ring and 7717-2/007 O-ring must be ordered separately. These components are included in a complete air atomizing nozzle assembly.

Please contact your sales engineer for more information.



Spray Set-up No.	Spray Set-up Consists of Fluid and Air Cap Combination	Liquid Capacity (gallons per hour)* and Air Capacity (standard cubic feet per minute)*															Spray Dimensions		
		Liquid Pressure																	
		10 psi			20 psi			30 psi			40 psi			60 psi			A (in.)	B (in.)	C (ft.)
		Air Press.	gph	scfm	Air Press.	gph	scfm	Air Press.	gph	scfm	Air Press.	gph	scfm	Air Press.	gph	scfm			
SUJ16	Fluid Cap J2050 + Air Cap J67-6-20-70°	8.0	1.41	.36	14.0	2.10	.42	22	2.36	.56	30	2.53	.68	44	2.95	.81	5-1/2 - 7-1/2	9 - 12	5 - 13
		10.0	1.14	.43	16.0	1.90	.50	26	2.02	.69	34	2.23	.81	48	2.72	.94			
		14.0	.45	.60	22	1.17	.71	36	.91	1.07	46	1.10	1.26	65	1.50	1.60			
		-	-	-	26	.55	.90	40	.43	1.25	50	.69	1.45	75	.65	2.05			
SUJ26B	Fluid Cap J40100 + Air Cap J140-6-37-70°	12.0	1.85	1.78	22	3.30	2.30	30	5.10	2.54	38	6.40	2.84	54	8.76	3.44	7 - 8-1/2	12-1/2 - 14-1/2	6 - 19-1/2
		14.0	.55	2.20	24	2.20	2.67	32	4.25	2.85	42	4.70	3.42	56	8.10	3.74			
		-	-	-	26	1.20	3.05	36	2.50	3.50	46	3.06	4.05	60	6.76	4.32			
		-	-	-	-	-	-	40	.70	4.30	50	1.40	4.84	70	3.50	6.00			
		-	-	-	-	-	-	-	-	-	52	.60	5.34	75	1.85	6.95			
SUJ26	Fluid Cap J60100 + Air Cap J140-6-37-70°	10.0	6.3	1.14	20	9.0	1.60	30	11.2	2.04	40	12.4	2.54	56	16.2	2.75	7-1/2 - 8	14 - 15-1/2	7 - 22-1/2
		12.0	3.6	1.54	22	6.9	2.00	32	9.3	2.44	42	10.6	2.92	58	14.8	3.11			
		14.0	2.0	2.00	24	5.1	2.40	36	5.4	3.20	46	7.1	3.72	65	9.8	4.42			
		-	-	-	26	3.3	2.80	40	2.3	3.98	50	3.6	4.51	75	4.0	6.31			
		-	-	-	-	-	-	-	-	-	52	2.2	4.91	80	2.4	6.51			
SUJ29	Fluid Cap J60100 + Air Cap J140-6-52-70°	18.0	9.4	3.0	30	13.4	4.15	44	15.3	5.45	60	15.6	7.05	80	21.4	8.55	8 - 9-1/2	13 - 16	18 - 34
		26	6.0	4.13	38	10.3	5.1	55	11.3	6.75	80	9.3	9.45	90	17.9	9.75			
		34	3.0	5.25	60	2.4	7.95	80	3.3	9.85	100	3.7	11.9	-	-	-			
SUJ30	Fluid Cap J40100 + Air Cap J120-6-35-60°	16.0	3.24	1.43	28	4.60	1.96	42	5.27	2.67	55	5.69	3.30	80	7.10	4.50	6 - 7-1/2	9 - 11	9 - 31
		20	2.08	1.75	36	2.45	2.55	48	3.45	3.11	65	3.15	4.06	90	4.65	5.27			
		28	.82	2.35	46	1.0	3.28	65	1.03	4.36	85	1.05	5.58	-	-	-			

*At the stated pressure in psi.

Drip Free™ spray set-ups ensure positive shut-off and are provided for air atomizing assemblies containing a shut-off needle. For more information, call 1.800.95.SPRAY.



PAWIN Engineering Co., Ltd.
168 อาคาร Axiom 1 บ. 7 ถ. ซิ่งแก้ว ต. บางพลีใหญ่
อ. บางพลี จ. สมุทรปราการ 10540



0-2911-4761-5, 095-365-8530-1

pawin@pawin.co.th

www.pawin.co.th



Spraying Systems Co.®



**PERFORMANCE DATA:
PRESSURE SPRAY SET-UPS | INTERNAL MIX | FLAT SPRAY**

For a flat spray pattern, "A" and "B" are the pattern widths at distances from the nozzle.

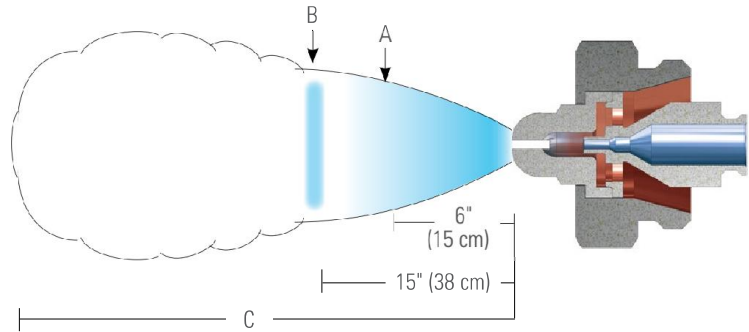
The total distance of spray projection from the nozzle to the maximum dispersal point is represented by "C".

Liquid is supplied to this spray set-up under pressure.

Liquid and compressed air or gas are mixed internally to produce a completely atomized spray.

When ordering only a spray set-up, 12582 retainer ring and 7717-2/007 O-ring must be ordered separately. These components are included in a complete air atomizing nozzle assembly.

Please contact your sales engineer for more information.



Spray Set-up No.	Spray Set-up Consists of Fluid and Air Cap Combination	Liquid Capacity (gallons per hour)* and Air Capacity (standard cubic feet per minute)*															Spray Dimensions		
		Liquid Pressure																	
		10 psi			20 psi			30 psi			40 psi			60 psi			A (in.)	B (in.)	C (ft.)
		Air Press.	gph	scfm	Air Press.	gph	scfm	Air Press.	gph	scfm	Air Press.	gph	scfm	Air Press.	gph	scfm			
SUJ13A	Fluid Cap J2050 + Air Cap J73328	10.0	1.44	.84	18.0	2.17	1.12	28	2.49	1.47	38	2.77	1.84	55	3.41	2.43	10 - 22	18 - 37	8-1/2 - 13
		14.0	1.09	1.08	26	1.50	1.50	36	1.89	1.82	46	2.20	2.19	75	2.26	3.26			
		22	.53	1.55	40	.57	2.16	55	.65	2.68	70	.65	3.25	100	.88	4.29			
SUJ13	Fluid Cap J2850 + Air Cap J73328	12.0	2.17	.70	20	3.35	.96	30	3.98	1.27	38	4.66	1.49	65	4.8	2.38	14 - 23	28 - 38	7 - 10-1/2
		16.0	1.45	.95	28	2.06	1.34	38	2.85	1.64	46	3.6	1.85	75	3.63	2.86			
		-	-	-	36	.94	1.78	50	1.2	2.28	70	.76	3.09	95	1.57	3.85			
SUJ14	Fluid Cap J2850 + Air Cap J73320	18.0	1.04	1.05	30	1.56	1.43	42	2.06	1.75	55	2.16	2.15	75	3.20	2.66	10 - 25	18 - 38	6 - 7-1/2
		22	.62	1.25	36	.90	1.70	46	1.57	1.94	65	1.15	2.62	85	2.19	3.13			
		26	.35	1.45	40	.60	1.88	50	1.13	2.13	-	-	-	-	-	-			
		-	-	-	44	.35	2.07	-	-	-	-	-	-	-	-	-			
SUJ23B	Fluid Cap J40100 + Air Cap J125328	16.0	2.95	1.92	28	4.45	2.66	38	5.94	3.22	46	7.50	3.66	65	9.70	4.80	6 - 13	8 - 19	10 - 13
		18.0	2.25	2.10	30	3.87	2.84	40	5.40	3.40	50	6.45	3.97	70	8.60	5.20			
		20	1.72	2.30	32	3.30	3.04	42	4.86	3.55	52	5.90	4.15	75	7.50	5.60			
		24	1.00	2.70	36	2.28	3.40	46	3.78	3.93	56	4.87	4.50	85	5.30	6.48			
		-	-	-	-	-	-	-	-	-	60	3.84	4.90	-	-	-			
SUJ23	Fluid Cap J60100 + Air Cap J125328	12.0	7.0	1.15	22	11.5	1.65	34	12.4	2.20	46	13.7	2.75	65	18.3	3.56	7 - 13	12 - 20	11 - 14-1/2
		14.0	5.4	1.35	26	8.3	2.02	38	9.8	2.57	50	10.9	3.14	75	12.6	4.47			
		16.0	4.2	1.57	30	6.0	2.40	42	7.8	2.95	54	8.7	3.51	80	10.6	4.95			
		20	2.7	1.97	34	4.3	2.78	48	5.0	3.52	60	6.4	4.06	90	6.9	5.85			
		-	-	-	38	3.0	3.16	52	3.7	3.90	70	3.3	5.00	100	4.5	6.76			

*At the stated pressure in psi.

Drip Free™ spray set-ups ensure positive shut-off and are provided for air atomizing assemblies containing a shut-off needle. For more information, call 1.800.95.SPRAY.





**PERFORMANCE DATA:
PRESSURE SPRAY SET-UPS | EXTERNAL MIX | FLAT SPRAY**

SUJE external mix spray set-ups offer increased ability to atomize viscous fluids and allow for greater flow capacity of finely atomized sprays.

Atomization can be controlled by varying the air pressure without changing liquid flow rate.

Liquid is supplied to this spray set-up under pressure.

Liquid and compressed air or gas are mixed externally to produce a completely atomized spray.

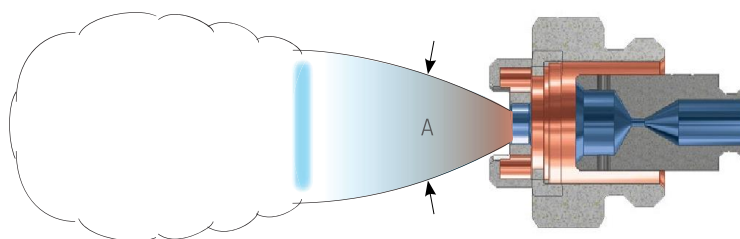
SUJE Series set-ups produce lower spray velocity for improved transfer and reduced misting.

Low profile design is ideal for applications where space is limited.

Very efficient use of air results in reduced air consumption costs and noise levels.

When ordering only a spray set-up, retainer ring and O-ring must be ordered separately. These components are included in a complete air atomizing nozzle assembly. Adapters must be used with all 1/8JJ nozzle bodies and all automatic spray nozzle with extensions except the 1/8JJAU.

Please contact your sales engineer for more information.



Spray Set-up No.	Spray Set-up Consists of Fluid and Air Cap Combination	Liquid Capacity (gallons per hour)* and Air Capacity (standard cubic feet per minute)*												Spray Angle A (°)	
		Liquid Pressure													
		10 psi			20 psi			30 psi			40 psi				
Air Press.	gph	scfm	Air Press.	gph	scfm	Air Press.	gph	scfm	Air Press.	gph	scfm	Air Press.	gph	scfm	
SUJE416-50	Fluid Cap PFJ1650 + Air Cap PAJ105-50	10.0	1.3	2.3	10.0	1.8	2.3	10.0	2.2	2.3	10.0	2.6	2.3	50	
		30	1.3	5.0	30	1.8	5.0	30	2.2	5.0	30	2.6	5.0		
		40	1.3	6.2	40	1.8	6.2	40	2.2	6.2	40	2.6	6.2		
		50	1.3	7.4	50	1.8	7.4	50	2.2	7.4	50	2.6	7.4		
SUJE417-50	Fluid Cap PFJ2050 + Air Cap PAJ105-50	10.0	1.9	2.3	10.0	2.6	2.3	10.0	3.2	2.3	10.0	–	–		
		30	1.9	5.0	30	2.6	5.0	30	3.2	5.0	30	4.0	5.0		
		50	1.9	7.4	50	2.6	7.4	50	3.2	7.4	50	4.0	7.4		
SUJE418-50	Fluid Cap PFJ2850 + Air Cap PAJ105-50	10.0	2.9	2.3	10.0	5.8	2.3	10.0	7.9	2.3	10.0	8.3	2.3		
		30	2.9	5.0	30	5.8	5.0	30	7.9	5.0	30	8.3	5.0		
		50	2.9	7.4	50	5.8	7.4	50	7.9	7.4	50	8.3	7.4		
SUJE420-50	Fluid Cap PFJ40100 + Air Cap PAJ135-50	10.0	8.0	2.3	10.0	11.7	2.3	10.0	14.4	2.3	10.0	16.7	2.3		
		30	8.0	5.0	30	11.7	5.0	30	14.4	5.0	30	16.7	5.0		
		50	8.0	7.3	50	11.7	7.3	50	14.4	7.3	50	16.7	7.3		

*At the stated pressure in psi.

Drip Free™ spray set-ups ensure positive shut-off and are provided for air atomizing assemblies containing a shut-off needle. For more information, call 1.800.95.SPRAY.



PAWIN Engineering Co., Ltd.
168 อาคาร Axiom 1 น. 7 ถ. กิ่งแก้ว ต. บางพลีใหญ่
อ. บางพลี จ. สมุทรปราการ 10540



0-2911-4761-5, 095-365-8530-1

pawin@pawin.co.th

www.pawin.co.th



Spraying Systems Co.®

**SPRAY
PERFORMANCE
DATA**

PRESSURE SPRAY SET-UPS | EXTERNAL MIX
FOR 1/8JJ, 1/8JJAU, PULSAJET® (JJAU) & AA28JJAU SERIES NOZZLES

**PERFORMANCE DATA:
PRESSURE SPRAY SET-UPS | EXTERNAL MIX | FLAT SPRAY**

Spray Set-up No.	Spray Set-up Consists of Fluid and Air Cap Combination	Liquid Capacity (gallons per hour)* and Air Capacity (standard cubic feet per minute)*												Spray Angle A (°)
		Liquid Pressure												
		10 psi			20 psi			30 psi			40 psi			
		Air Press.	gph	scfm	Air Press.	gph	scfm	Air Press.	gph	scfm	Air Press.	gph	scfm	
SUJE416-65	Fluid Cap PFJ1650 + Air Cap PAJ080-65	10.0	1.3	1.9	10.0	1.8	1.9	10.0	2.2	1.9	10.0	2.6	1.9	65
		30	1.3	4.0	30	1.8	4.0	30	2.2	4.0	30	2.6	4.0	
		50	1.3	5.9	50	1.8	5.9	50	2.2	5.9	50	2.6	5.9	
SUJE417-65	Fluid Cap PFJ2050 + Air Cap PAJ080-65	10.0	1.9	1.9	10.0	2.6	1.9	10.0	3.2	1.9	10.0	4.0	1.9	
		30	1.9	4.0	30	2.6	4.0	30	3.2	4.0	30	4.0	4.0	
		50	1.9	5.9	50	2.6	5.9	50	3.2	5.9	50	4.0	5.9	
SUJE418-65	Fluid Cap PFJ2850 + Air Cap PAJ080-65	10.0	2.9	1.9	10.0	5.8	1.9	10.0	–	–	10.0	–	–	
		30	2.9	4.0	30	5.8	4.0	30	7.9	4.0	30	8.3	4.0	
		50	2.9	5.9	50	5.8	5.9	50	7.9	5.9	50	8.3	5.9	
SUJE420-65	Fluid Cap PFJ40100 + Air Cap PAJ125-65	10.0	8.0	2.1	10.0	11.7	2.1	10.0	14.4	2.1	10.0	16.7	2.1	
		30	8.0	4.4	30	11.7	4.4	30	14.4	4.4	30	16.7	4.4	
		50	8.0	6.5	50	11.7	6.5	50	14.4	6.5	50	16.7	6.5	
SUJE421-65	Fluid Cap PFJ60100 + Air Cap PAJ125-65	30	16.0	4.4	30	–	–	30	–	–	30	–	–	
		40	16.0	5.4	40	23.2	5.4	40	–	–	40	–	–	
		50	16.0	6.5	50	23.2	6.5	50	28.7	6.5	50	–	–	
SUJE416-90	Fluid Cap PFJ1650 + Air Cap PAJ075-90	10.0	1.3	1.9	10.0	1.8	1.9	10.0	2.2	1.9	10.0	2.6	1.9	90
		30	1.3	4.0	30	1.8	4.0	30	2.2	4.0	30	2.6	4.0	
		50	1.3	5.9	50	1.8	5.9	50	2.2	5.9	50	2.6	5.9	
SUJE417-90	Fluid Cap PFJ2050 + Air Cap PAJ075-90	10.0	1.9	1.9	10.0	2.6	1.9	10.0	3.2	1.9	10.0	4.0	1.9	
		30	1.9	4.0	30	2.6	4.0	30	3.2	4.0	30	4.0	4.0	
		50	1.9	5.9	50	2.6	5.9	50	3.2	5.9	50	4.0	5.9	
SUJE418-90	Fluid Cap PFJ2850 + Air Cap PAJ075-90	10.0	2.9	1.9	10.0	–	–	10.0	–	–	10.0	–	–	
		30	2.9	4.0	30	5.8	4.0	30	7.9	4.0	30	8.3	4.0	
		50	2.9	5.9	50	5.8	5.9	50	7.9	5.9	50	8.3	5.9	
SUJE420-90	Fluid Cap PFJ40100 + Air Cap PAJ115-90	20	8.0	2.9	20	–	–	20	–	–	20	–	–	
		30	8.0	3.9	30	11.7	3.9	30	–	–	30	–	–	
		40	8.0	4.8	40	11.7	4.8	40	14.4	4.8	40	–	–	
		50	8.0	5.7	50	11.7	5.7	50	14.4	5.7	50	16.7	5.7	
SUJE421-90	Fluid Cap PFJ60100 + Air Cap PAJ115-90	30	16.0	3.9	30	–	–	30	–	–	30	–	–	
		40	16.0	4.8	40	23.2	4.8	40	–	–	40	–	–	
		50	16.0	5.7	50	23.2	5.7	50	28.7	5.7	50	–	–	
		60	–	–	60	–	–	60	–	–	60	33.2	6.6	
		70	–	–	70	–	–	70	–	–	70	33.2	7.5	

*At the stated pressure in psi.

Drip Free™ spray set-ups ensure positive shut-off and are provided for air atomizing assemblies containing a shut-off needle. For more information, call 1.800.95.SPRAY.



SIPHON/GRAVITY SPRAY SET-UPS | EXTERNAL MIX
FOR 1/8JJ, 1/8JJAU, PULSAJET® (JJAU) & AA28JJAU SERIES NOZZLES

SPRAY PERFORMANCE DATA



**PERFORMANCE DATA:
SIPHON/GRAVITY SPRAY SET-UPS | EXTERNAL MIX | ROUND SPRAY**

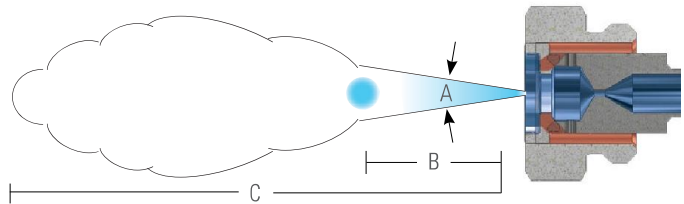
For a round spray pattern, angle "A" is maintained throughout distance "B". Beyond "B", the spray becomes turbulent and projects out to distance "C".

Liquid is supplied to this spray set-up by either a liquid siphon or a gravity-feed.

Liquid is drawn through the feed line into the air flow where it is atomized.

When ordering only a spray set-up, 12582 retainer ring and 7717-2/007 O-ring must be ordered separately. These components are included in a complete air atomizing nozzle assembly.

Please contact your sales engineer for more information.



Spray Set-up No.	Spray Set-up Consists of Fluid and Air Cap Combination	Atomizing Air		Liquid Capacity (gallons per hour)*								Spray Dimensions at 8" Siphon Height		
		Air Press.	Air Capacity scfm	Gravity Head (in.)			Siphon Height (in.)					Spray Angle A (°)	B (in.)	C (ft.)
				18	12	6	4	8	12	24	36			
SUJ1A	Fluid Cap J1650 + Air Cap J64	10.0	.40	.39	.35	.30	.23	.18	.14	—	—	18	11 - 14	6 - 8-1/2
		20	.59	.46	.43	.39	.34	.31	.28	.14	—			
		40	.95	.54	.50	.47	.41	.38	.36	.28	.19			
		60	1.32	.59	.54	.49	.44	.41	.39	.31	.24			
SUJ1	Fluid Cap J2050 + Air Cap J64	10.0	.47	.63	.55	.46	.40	.32	.21	—	—	18 - 19	12 - 17	7 - 10
		20	.66	.73	.66	.60	.54	.48	.40	.21	.07			
		40	1.06	.87	.81	.76	.71	.67	.61	.43	.28			
		60	1.48	.98	.92	.88	.83	.79	.73	.57	.40			
SUJ2A	Fluid Cap J2050 + Air Cap J70	10.0	.81	.67	.61	.53	.43	.37	.29	—	—	18 - 20	12 - 17	8 - 13
		20	1.20	.76	.72	.64	.56	.50	.44	.21	—			
		40	1.94	.89	.86	.82	.76	.71	.65	.46	.30			
		60	2.70	.98	.96	.94	.91	.87	.81	.68	.56			
SUJ2	Fluid Cap J2850 + Air Cap J70	10.0	.68	1.19	1.05	.91	.56	.47	.38	—	—	21 - 22	15 - 20	10 - 15
		20	1.03	1.37	1.27	1.13	.88	.77	.68	.46	—			
		40	1.70	1.48	1.41	1.30	1.08	1.02	.90	.63	.28			
		60	2.39	1.57	1.47	1.32	1.15	1.05	.91	.74	.52			
SUJ3	Fluid Cap J2850 + Air Cap J64-5	10.0	.41	—	—	—	.59	.49	.29	—	—	18 - 19	12 - 17	8 - 13
		20	.61	—	1.22	1.05	.89	.78	.63	.26	—			
		40	.99	1.68	1.56	1.45	1.34	1.22	1.10	.70	.30			
		60	1.36	1.91	1.81	1.72	1.64	1.54	1.44	1.02	.56			
SUJ4B	Fluid Cap J40100 + Air Cap J120	10.0	1.30	—	—	—	1.40	.97	.59	—	—	17 - 19	18 - 23	10 - 15
		20	1.97	—	2.57	2.37	1.90	1.50	1.20	.34	—			
		40	3.12	3.20	2.96	2.80	2.30	2.02	1.70	.76	.26			
		60	4.28	3.47	3.24	3.05	2.57	2.32	2.05	1.16	.52			
SUJ4	Fluid Cap J60100 + Air Cap J120	20	1.90	5.80	5.15	4.20	3.10	2.65	1.90	.60	—	17 - 19	18 - 23	12 - 18
		40	3.00	6.50	5.95	5.10	4.30	3.70	3.00	1.55	.70			
		60	4.10	6.80	6.35	5.60	4.90	4.20	3.45	2.20	1.30			
		80	5.20	6.80	6.40	5.80	5.20	4.50	3.85	2.60	1.60			

*At the stated pressure in psi.

Drip Free™ spray set-ups ensure positive shut-off and are provided for air atomizing assemblies containing a shut-off needle. For more information, call 1.800.95.SPRAY.



PAWIN Engineering Co., Ltd.
168 อาคาร Axiom 1 บ. 7 ถ. ซักแก้ว ต. บางพลีใหญ่
อ. บางพลี จ. สมุทรปราการ 10540



0-2911-4761-5, 095-365-8530-1

pawin@pawin.co.th

www.pawin.co.th



Spraying Systems Co.®



**PERFORMANCE DATA:
SIPHON/GRAVITY SPRAY SET-UPS | INTERNAL MIX | FLAT SPRAY**

For a flat spray pattern, "A" and "B" are the pattern widths at distances from the nozzle.

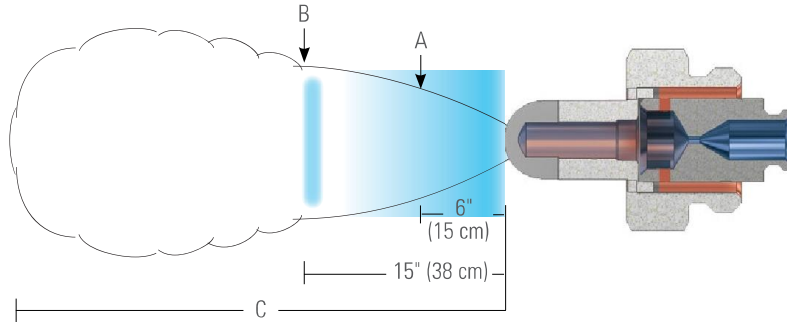
The total distance of spray projection from the nozzle to the maximum dispersal point is represented by "C".

Liquid is supplied to this spray set-up by either a liquid siphon or a gravity-feed.

Liquid is drawn through the feed line into the air flow where it is atomized.

When ordering only a spray set-up, 12582 retainer ring and 7717-2/007 O-ring must be ordered separately. These components are included in a complete air atomizing nozzle assembly.

Please contact your sales engineer for more information.



Spray Set-up No.	Spray Set-up Consists of Fluid and Air Cap Combination	Atomizing Air		Liquid Capacity (gallons per hour)*								Spray Dimensions at 8" Siphon Height		
		Air Press.	Air Capacity scfm	Gravity Head (in.)			Siphon Height (in.)					A (in.)	B (ft.)	C (ft.)
				18	12	6	4	8	12	24	36			
SUJF1	Fluid Cap J2850 + Air Cap J73420	10.0	.99	.35	.33	.30	.27	.25	.22	.17	.13	8 - 9	15	6 - 7
		20	1.42	.31	.30	.29	.26	.25	.23	.19	.16			
		30	1.83	.18	.16	.15	.11	.09	-	-	-			
SUJF2C	Fluid Cap J35100 + Air Cap J120432	20	1.86	1.01	.95	.90	.77	.72	.67	.62	.56	9 - 11	15 - 19	9 - 10
		30	2.42	.88	.84	.81	.75	.71	.67	.63	.57			
		40	2.96	.76	.73	.69	.65	.61	.58	.53	.48			
		60	4.05	.44	.41	.37	.33	.30	.27	-	-			
SUJF3B	Fluid Cap J40100 + Air Cap J122435	20	2.26	1.35	1.28	1.20	1.01	.96	.92	.78	.62	7-1/2 - 8-1/2	10 - 1/2 - 12	10 - 11
		30	2.88	1.26	1.21	1.14	.92	.87	.82	.74	.59			
		40	3.52	.98	.92	.87	.66	.59	.52	.44	-			
		50	4.13	.58	.52	.44	-	-	-	-	-			
SUJF4B	Fluid Cap J40100 + Air Cap J122440	20	2.10	2.01	1.90	1.71	1.47	1.40	1.32	1.17	.92	6-1/2 - 8	10-1/2 - 13	11
		30	2.70	2.00	1.94	1.81	1.58	1.52	1.45	1.34	1.11			
		40	3.28	1.82	1.74	1.63	1.42	1.34	1.22	1.03	-			
		50	3.87	1.10	.97	.85	.69	-	-	-	-			

*At the stated pressure in psi.

Drip Free™ spray set-ups ensure positive shut-off and are provided for air atomizing assemblies containing a shut-off needle. For more information, call 1.800.95.SPRAY.

