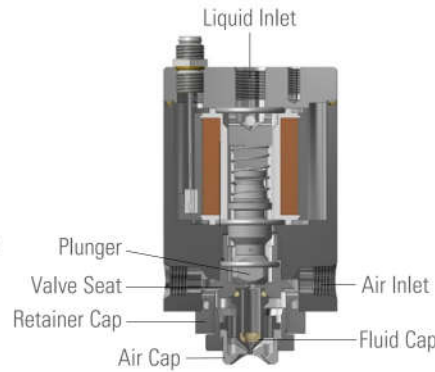


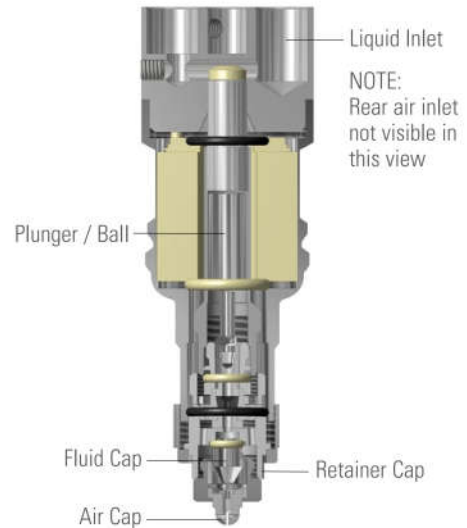
**OVERVIEW: ELECTRICALLY-ACTUATED AIR ATOMIZING NOZZLES**

- Electrically-actuated nozzles provide the fastest cycling of any automatic nozzles – up to 10,000 cycles per minute
- Compressed air is used as the force for atomization, producing the smallest drop sizes and lowest possible flow rates
- Hundreds of air atomizing set-ups are available for a wide variety of spray patterns and flow rates
- Precision Spray Control using an AutoJet® Spray Controller ensures consistent flow rates at varying line speeds
- Many options are available for convenient mounting, clean-out needles, food grade materials of construction and more



**AA10000JAU Nozzle**

The compact design and simple mounting options for PulsaJet® nozzles enable them to be easily integrated into most production areas. Wear parts for all PulsaJet nozzles are easily accessible to minimize routine maintenance time.



**AA28JJAU Nozzle**

AA28JJAU nozzles feature a removable fluid module which contains all fluid handling parts and can be replaced without disturbing the mounting or electrical connections.

**QUICK REFERENCE GUIDE**

Product Number	Connection Size (in.)	Max Liquid Pressure	Power	Max Air Pressure	Max Flow	Max Temp (liquid)	Max Speed	Spray Set-Ups
<b>AA10000JJAU</b>	1/8 NPT or BSPT (air and liquid)	100 psi (7 bar) 250 psi (17 bar) (w/ AutoJet 2008+ spray controller)	24 VDC, (0.36 Amp)	100 psi (7 bar)	0.16 gpm (0.61 lpm)	200°F (93°C)	10,000 cpm	JJ set-ups (page D33)
<b>AA10000JAU-10</b>	1/8 NPT or BSPT (air and liquid)	100 psi (7 bar)	24 VDC (1.05 Amp)	100 psi (7 bar)	0.75 gpm (2.84 lpm)	200°F (93°C)	5000 cpm	Threadless 1/4J set-ups (page D22)
<b>AA28JJAU-49815</b>	1/8 NPT (air and liquid)	125 psi (8.6 bar)	24 VDC (0.50 Amp)	100 psi (7 bar)	0.42 gpm (1.62 lpm)	150°F (66°C)	2000 cpm	JJ set-ups (page D33)
<b>AA29JAUCO</b>	1/8 NPT or BSPT (air and liquid)	60 psi (4.0 bar)	24 VDC (0.75 Amp)	100 psi (7 bar)	0.75 gpm (2.84 lpm)	150°F (66°C)	1000 cpm	Threadless 1/4J set-ups (page D22)



**ELECTRICALLY-ACTUATED AIR ATOMIZING PULSAJET® NOZZLE OPTIONS**

**AA10000JJAU**

- Rear liquid inlet; side air inlet
- Flow rates up to 0.16 gpm (0.61 lpm)
- Stainless steel, PPS and PEEK construction with Viton® or EPDM seals
- All wear parts accessible from the front of the nozzle without disturbing mounting and air/liquid/ electrical connections
- For use with standard 1/8JJ air caps and 1/8JJ fluid caps (maximum size 2850)



**AA10000JAU-10**

- Rear liquid inlet; side air inlet
- Flow rates up to 0.75 gpm (2.84 lpm)
- Stainless steel, PPS and PEEK construction with Viton or EPDM seals
- All wear parts accessible from the front of the nozzle without disturbing mounting and air/liquid/ electrical connections
- For use with standard 1/4J air caps and threadless 1/4J fluid caps (maximum size 80100)



**OTHER ELECTRICALLY-ACTUATED AIR ATOMIZING NOZZLE OPTIONS**

**AA28JJAU-49815**

- Flow rates up to 0.42 gpm (1.62 lpm)
- Compact design features rear air and liquid inlets to minimize nozzle profile
- Fluid modules available for in-line, 45° or 75° spray direction
- Stainless steel, carbide, nylon construction with Viton or EPDM seals
- Fluid re-circulation possible
- For use with standard 1/8JJ air caps and 1/8JJ fluid caps (maximum size 2850)



**AA29JAUCO**

- Flow rates up to 0.75 gpm (2.84 lpm)
- Rear air and liquid inlets to minimize nozzle profile
- Additional side liquid inlet available for liquid recirculation
- Stainless steel, PTFE and PPS construction with Viton seals
- Clean-out needle standard for all fluid cap sizes
- For use with standard 1/4J air caps and threadless 1/4J fluid caps (maximum size 80100)



**FOR DETAILED SPRAY TIP PERFORMANCE DATA  
SEE SECTION D**